

PEMC Series

DC MCCB
500V 250A



PROJOY
electric

– Switch To Safety! –



HIGH CRAFTSMANSHIP AND HIGH STANDARDS

Bright and Eye-catching

In line with the working habits of firefighters, it is conducive to quickly locate the operating location.



Small Volume



Short circuit Protection



Overload Protection



Flame Retardant



High Breaking Capability



Arcing Short



Complete Accessories

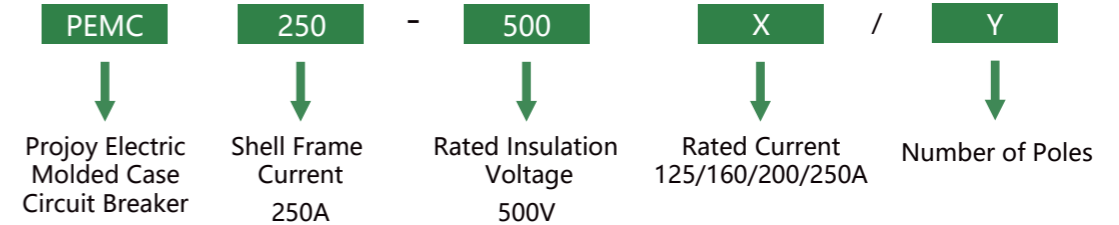


Multiple Wiring

PROJOY
electric

– Switch To Safety! –

Select Code



Technical data

Standard		EN60947-2, IEC60947-2, LVD:2014/35/EU, AS/NES IEC 60947.2:2015
Type		PEMC250-500 X/Y/Z
Shell frame current INM (A)		250
Rated current I _n (A)		125/160/200/250
Number of poles		2P
Rated Operating Voltage U _E (v)		500
Rated insulation voltage U _i (V)		1000
Power frequency withstand voltage 1min(V)		8
Power frequency withstand voltage 1min(V)		3800
Rated Ultimate Short Circuit Breaking Capability I _{cu} (KA)		20
Rated Service Short Circuit Breaking Capability I _{cs} (KA)		10
Arc Distance (mm)		≤100
Design Life (times)	Electrical Life	2000
	Mechanical Life	10000
Isolation function		√
Types of accessories	Shunt release	√
	Alarm contact	√
	Auxiliary contact	√
Service temperature		-40°C~+85°C
Service humidity		Relative humidity≤95%
Altitude		≤2000m
Class of use		A
Protection level		IP20
Pollution level		3
INTERPHASE spacer		√
Contacts Configurations		
Dimensions(W*H*D)		78*166*94mm
Certification		TUV, CE, CB, SAA

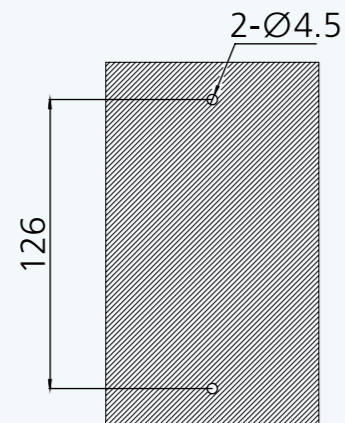
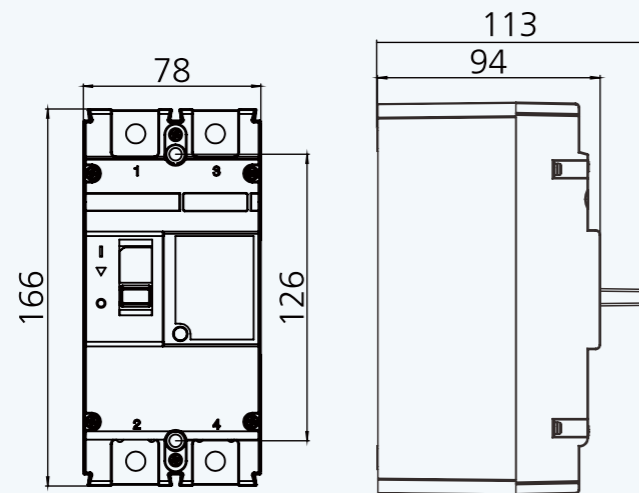
Dimensions

PROJOY
electric

– Switch To Safety! –

PEMC250-500/2P

(Unit: mm)



PROJOY
electric
– Switch To Safety! –

ProJoy Electric Co., Ltd.

2nd Floor, Building 3, No. 2266, Taiyang Road, Xiangcheng District, Suzhou, China

Tel: +86 512 6878 6489 | Fax: +86 512 6878 6489

Email: sales@projoy-electric.com | www.projoy-electric.com